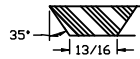
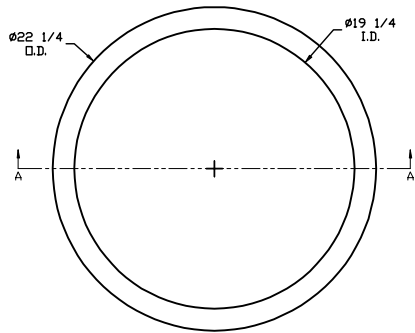
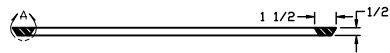


SALES DRAWING



DETAIL A
SCALE 2:1



SECTION A-A

SALES DRAWING

| | |
|--|------------------|
| A CHL 5-5-83 NEW PART ADDED TO SYSTEM | |
| REV BY | DATE |
| (ALL DIMENSIONS UNLESS OTHERWISE SPECIFIED) SALCO PRODUCTS, INC. | |
| FUNCTIONAL | DESIGN |
| DATE | SCALE |
| AXIS | QUANTITY |
| REVISION | BY |
| MATERIAL: WHITE NEDPRENE PART NAME: GASKET COVER 20 NEDPRENE | |
| PROJECT | REVISED |
| NO. 1011009 | REV 1 |
| PLATE NO. D16316 | PLATE # PL20HCG1 |